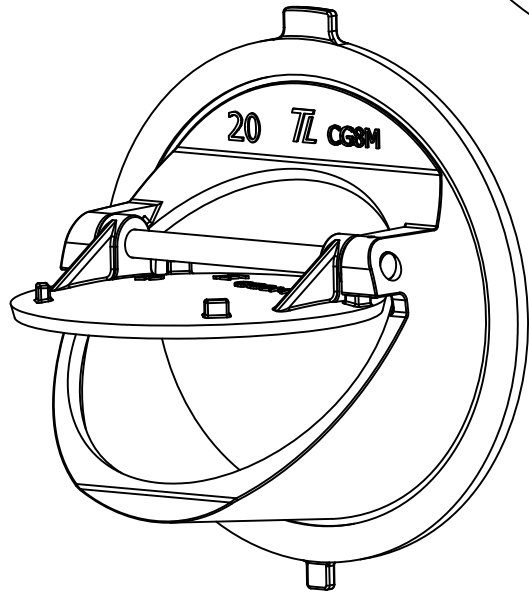
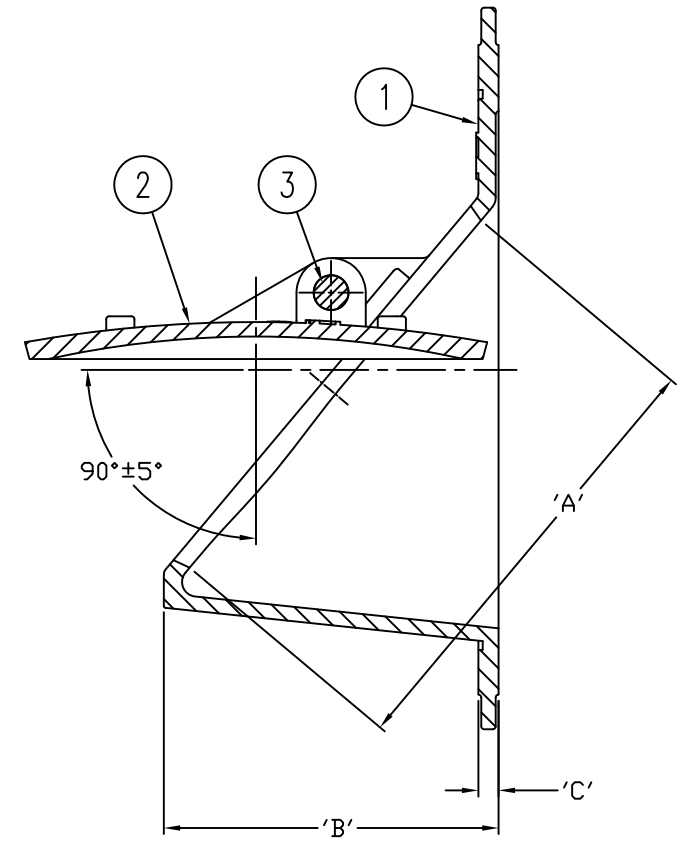
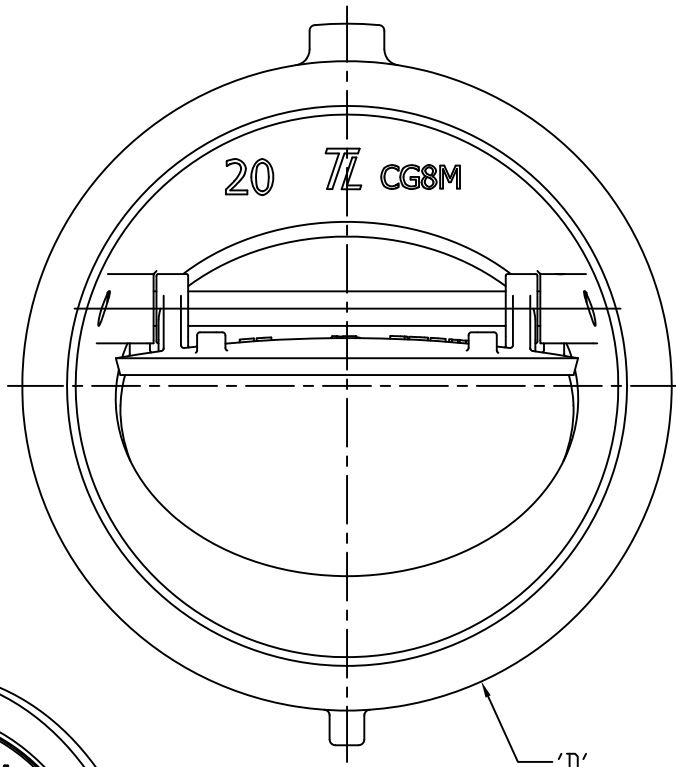


SIZE		AA	B	C	ØD
2"	IN	2.00	1.938	0.313	3.25
	MM	50.8	49.2	7.9	82.6
3"	IN	3.00	2.688	.375	6.625
	MM	76.2	68.3	9.5	168.3
4"	IN	4.00	3.50	0.438	8.50
	MM	101.6	88.9	11.1	215.9
6"	IN	6.00	5.00	0.50	10.75
	MM	152.4	127.0	12.7	273.1
8"	IN	8.00	6.25	0.50	13.00
	MM	203.2	158.8	12.7	330.2
10"	IN	10.00	7.625	0.563	16.00
	MM	254.0	193.7	14.3	406.4
12"	IN	11.625	9.063	0.625	17.625
	MM	295.3	230.2	15.9	447.7
14"	IN	13.938	10.875	0.625	20.00
	MM	354.0	276.2	15.9	508.0
16"	IN	15.188	11.625	0.75	21.50
	MM	385.8	295.3	19.1	546.1
18"	IN	17.25	12.75	0.75	23.75
	MM	438.2	323.9	19.1	603.3
20"	IN	19.625	14.50	0.875	28.125
	MM	498.5	368.3	22.2	714.4
24"	IN	24.00	17.75	1.00	34.50
	MM	609.6	450.9	25.4	876.3
30"	IN	30.00	22.50	1.25	39.625
	MM	762.0	571.5	31.7	1006.5



F									
E									
D									
C									
B									
A	ADDED 24" & 30"	MAB	12/6/06	APPROVED BY: MDA	DATE : 12/28/05	SCALE : NTS			
LET	REVISION	BY	DATE	MAT'L					
A <sub>P</sub> D	C <sub>H</sub> K			SPEC'N	AS PER ORDER	DWG No.	TL2479B	REV	A

**TL<sub>R</sub>** **TRUeline<sub>R</sub>** Valve Corporation  MONTREAL QUEBEC

TITLE  
2" TO 30" NON SLAM CHECK VALVE ASSEMBLY

DRAWN BY: MAB DATE : 12/28/05 SCALE : NTS  
APPROVED BY: MDA DATE : 12/28/05 SHEET: 1 OF: 1

MAT'L AS PER ORDER DWG No. TL2479B REV A